

Xtended Travel™

Constant Velocity Drive Axle

DESIGNED SPECIFICALLY FOR LIFTED VEHICLES

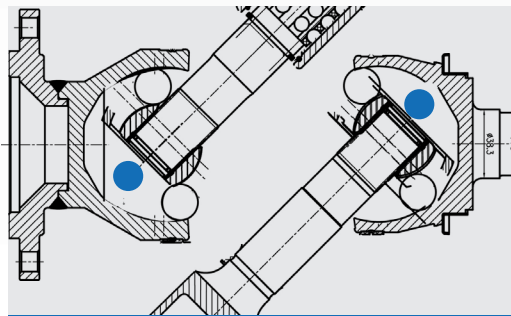
What You Need to Know: A lifted vehicle dramatically increases the stresses of stock components and often exceeds the original design limitations. TrakMotive's Xtended Travel™ CV Axles utilize a sliding center shaft that allows for greater suspension travel for lifted applications which reduces the stress on stock components.

Now Available!

Bulletin 082021

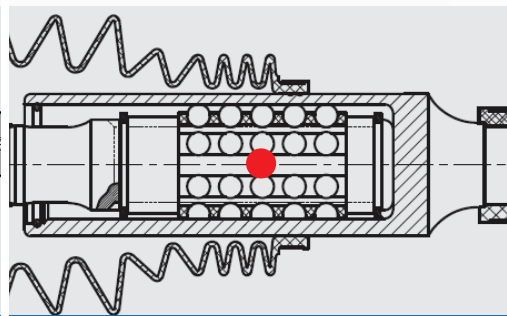


The only CV Axle assembly in the aftermarket designed for lifted applications that offers a lifetime warranty against defect and workmanship. **Key Features Include:**



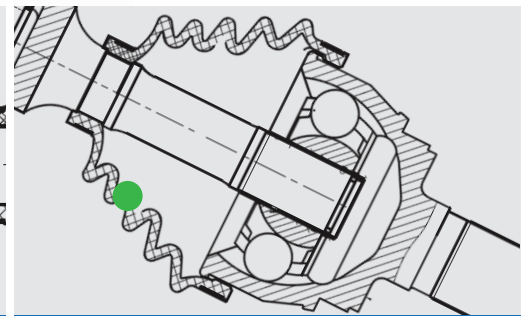
8 Ball Inner & Outer Joints

Eliminates joint failure from lift kits and increased ride height.
(60% more operating angle on the inboard joint)



Sliding Spine Center Shaft

Allows for up to a full 40mm more travel than stock OE units for greater suspension travel for off-road and lifted applications.



Thermoplastic Boots

Provides added protection against rocks, and punctures when off-road.

Check Our Latest Video on Xtended Travel CV Axles

You Tube

