

HD Xtreme™

Constant Velocity Drive Axle

DESIGNED FOR EXTREME ENVIRONMENTAL CONDITIONS

Extreme weather and rugged conditions can be tough on today's vehicles. OE style CV axles function well in normal conditions but can be subject to premature failure due to extreme cold, heat and rugged conditions. TrakMotive offers a solution with the New HD Xtreme™ CV Axle program, which is specifically designed to handle the most extreme environments.

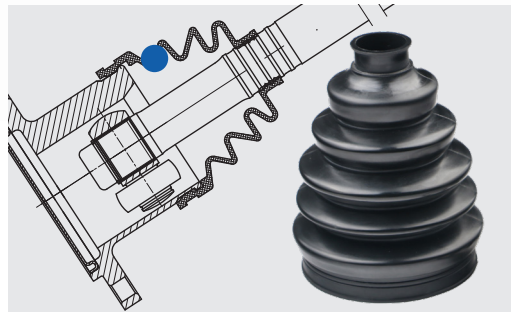
Now Available!

Bulletin 112021



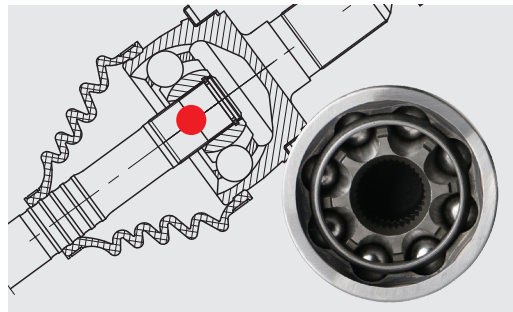
NEW!

Long Lasting Performance in Even the Most Extreme Conditions
 Ideal for fleet applications and ride sharing / delivery vehicles like Uber, Lyft, Grubhub, DoorDash & more. **Key Features Include:**



Premium Thermoplastic Boots

Withstands exposure to extreme temperatures ranging from -58°F/50°C to +478 °F/ 248°C



High Strength 8-Ball Fixed Outer Joints

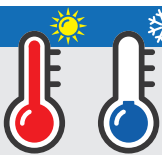
Reduces friction and wear characteristics for greater longevity and cooler operation which extends grease life.



Stainless Steel Stepless Clamps

Provides improved clamping force on the TPE boot to create a tighter, more reliable 360° optimum seal even in the most extreme temperatures.

Specially Formulated 7023B Grease



Designed to resist loss of lubricity and maintain OE lubricant performance in even the most severe temperatures ranging from -40°F/C to +280°F/140 °C



Learn More

