

# Xtended Travel™ Constant Velocity Drive Axle

DESIGNED SPECIFICALLY FOR LIFTED VEHICLES



## TrakMotive®

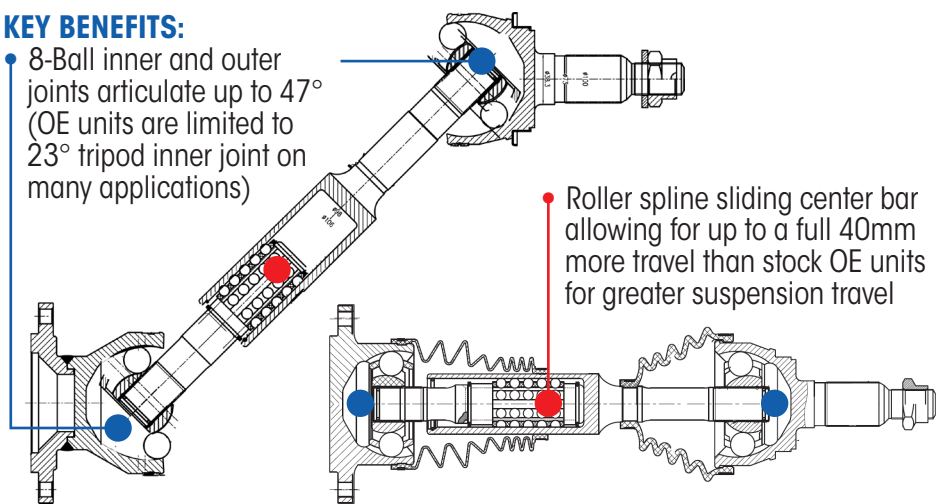
**THE PROBLEM:** A lifted vehicle dramatically increases the stresses of stock components and often exceeds the original design limitations.

**THE SOLUTION:** TrakMotive XTENDED TRAVEL™ CV Axles utilize a sliding center shaft that provides up to 40mm greater linear travel than an OEM CV shaft, which allows for greater suspension travel for off-road and lifted applications. They also include high strength 8-ball fixed CV inner and outer joints that have 60% more operating angle on the inboard joint, eliminating joint failure from lift kits and increased ride height.

### KEY BENEFITS:

• 8-Ball inner and outer joints articulate up to 47° (OE units are limited to 23° tripod inner joint on many applications)

• Roller spline sliding center bar allowing for up to a full 40mm more travel than stock OE units for greater suspension travel



### FEATURES:

- Utilize a sliding spline center shaft that provide greater linear travel than OE, which allows for greater suspension travel for off-road and lifted applications.
- Include high strength 8-ball fixed CV inner and outer joints that have 60% more operating angle on the inboard joint, eliminating joint failure from lift kits and increased rife height.
- Thermoplastic boots for added protection against rocks, and punctures when off-road, and high strength stainless steel clamps and increased corrosion resistance.

**The only CV Axle assembly in the aftermarket designed for lifted applications that offers a lifetime warranty against defect and workmanship.**

United States Distribution Center **800.567.1608**  
Canadian Distribution Center **905.282.1120**

**TrakMotive.com**



# Xtended Travel™

## Constant Velocity Drive Axle



Part No.	Make	Model	Years	Location
AM-8003XTT	Jeep	Liberty	2002-2006	Front Right
AM-8004XTT	Jeep	Liberty	2002-2006	Front Left
AM-8005XTT	Jeep	Liberty	2002-2007	Front Right
AM-8006XTT	Jeep	Liberty	2002-2007	Front Left
FD-8004XTT	Ford, Mazda,	B3000, B4000, Explorer, Explorer Sport, Explorer Sport Trac, Mountaineer, Ranger	1995-2005	Front Right
FD-8021XTT	Ford, Mazda, Mercury	B3000, B4000, Explorer, Explorer Sport, Explorer Sport Trac, Mountaineer, Ranger	1995-2005	Front Left
FD-8023XTT	Ford, Lincoln	Expedition, F-150, F-150 Heritage, F-250, Navigator	1997-2004	Front Left, Front Right
FD-8123XTT	Ford, Lincoln	Expedition, F-150, Lobo, Mark LT, Navigator	2003-2008	Front Left, Front Right
FD-8167XTT	Ford, Mazda	B4000, Explorer Sport Trac, Ranger	2003-2011	Front Right
FD-8168XTT	Ford, Mazda	B4000, Explorer Sport Trac, Ranger	2003-2011	Front Left
FD-8172XTT	Ford, Lincoln	Expedition, F-150, Lobo, Mark LT, Navigator	2007-2017	Front Left
FD-8173XTT	Ford, Lincoln	Expedition, F-150, Lobo, Mark LT, Navigator	2007-2017	Front Right
FD-8273XTT	Ford	F-150	2010-2014	Front Left
FD-8274XTT	Ford	F-150	2010-2014	Front Right
GM-8228XTT	Cadillac, Chevrolet, GMC	Avalanche, Cheyenne, Escalade, Escalade ESV, Escalade EXT, Sierra 1500, Silverado 1500, Suburban, Suburban 1500, Tahoe, Yukon, Yukon XL, Yukon XL 1500	2007-2018	Front Left, Front Right
GM-8356XTT	Chevrolet, GMC	Sierra 2500 HD, Sierra 3500 HD, Silverado 2500, Silverado 2500 HD, Silverado 3500 HD	2015-2019	Front Left, Front Right
GM-8423XTT	Chevrolet, GMC	Canyon, Colorado	2015-2018	Front Left, Front Right
MI-8076XTT	Dodge	Dakota, Durango	2000-2004	Front Left, Front Right
NI-8001XTT	Nissan	Pathfinder, Pickup	1990-1995	Front Left, Front Right
NI-8099XTT	Nissan	Frontier, NP300, Xterra	1998-2011	Front Left, Front Right
NI-8185XTT	Infiniti, Nissan	D21, Pathfinder, Pickup, QX4	1993-2004	Front Left, Front Right
TO-8024XTT	Toyota	4Runner, Pickup	1986-1995	Front Left, Front Right



United States Distribution Center **800.567.1608**  
 Canadian Distribution Center **905.282.1120**

**TrakMotive.com**