

# Don't End Up Stranded with Inferior CV Axles

## TrakMotive HD Xtreme™ Axles are Built for Even the Most Extreme Conditions

**Bulletin 062023**

Extreme weather and rugged conditions can be tough on today's vehicles. OE style CV axles function well in normal conditions but can be subject to premature failure due to extreme cold, heat and rugged conditions. Don't end up stranded with inferior CV Axles in extreme conditions. TrakMotive® offers a true solution with the HD Xtreme™ CV Axle program, which is specifically designed to handle the most extreme environments.

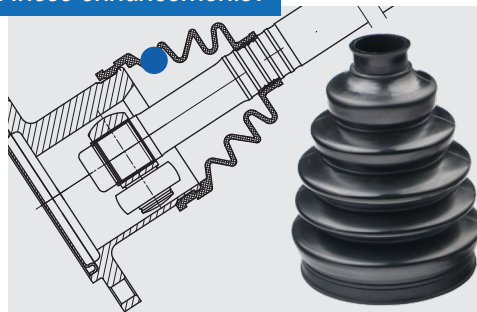
**Ideal for fleet applications, ride sharing / delivery vehicles & more.**

**Key Features:** *Can your program match these enhancements?*



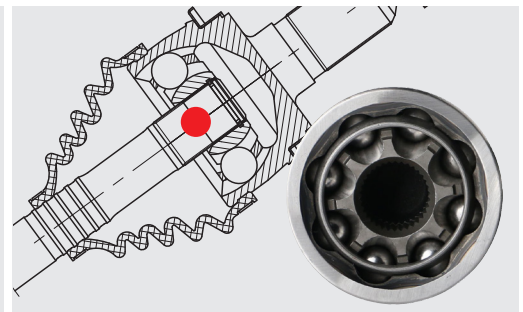
**Stainless Steel Stepless Clamps**

Provides improved clamping force on the TPE boot to create a tighter, more reliable seal in the most extreme temperatures.



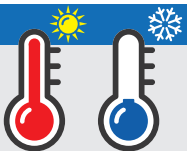
**Premium Thermoplastic Boots**

Withstands exposure to extreme temperatures ranging from -58°F/50°C to +478 °F/ 248°C



**High Strength 8-Ball Fixed Outer Joints**

Reduces friction & wear characteristics for greater longevity and cooler operation which extends grease life. (where applicable)



**Specially Formulated 7023B Grease**

Designed to resist loss of lubricity and maintain OE lubricant performance in even the most severe temperatures ranging from -40°F/C to +280°F/140 °C



**Learn More**

